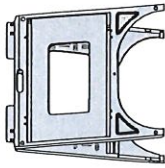
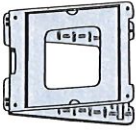
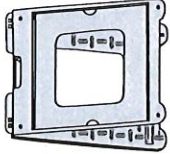
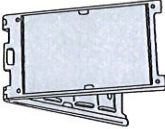
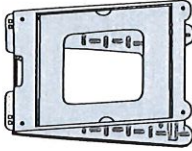
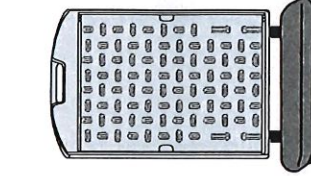

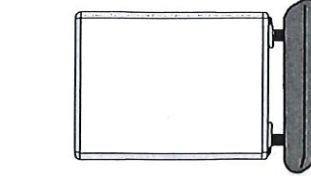
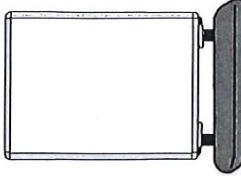
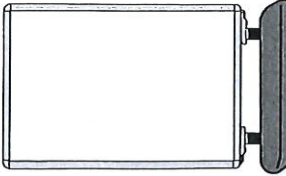
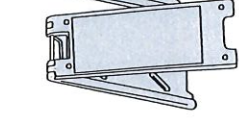




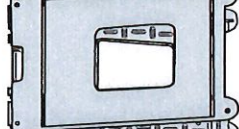
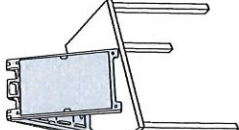
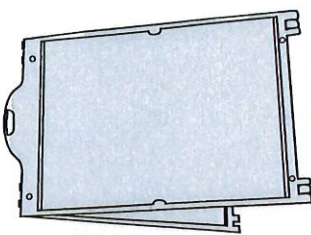


# PLASTICADE® Sign Frames & Blank Sizes

									
<b>Quik Sign®</b> 24" x 18" w/riider 22" x 6" or larger Colors: <input type="checkbox"/> <input type="checkbox"/> <input type="checkbox"/>	<b>SimpoSqaure™20</b> 20" x 20" w/riider 22" x 6" or larger Colors: <input type="checkbox"/> <input type="checkbox"/> <input type="checkbox"/>	<b>SimpoSqaure™24</b> 24" x 24" w/riider 26" x 6" or larger Colors: <input type="checkbox"/> <input type="checkbox"/> <input type="checkbox"/>	<b>Signicade®MDX</b> 18" x 24" Colors: <input type="checkbox"/> <input type="checkbox"/> <input type="checkbox"/>	<b>SimpoSqaure®II</b> 22" x 28" w/riider 24" x 6" or larger Colors: <input type="checkbox"/> <input type="checkbox"/> <input type="checkbox"/>	<b>Quick-Change™ Frames</b> 24" x 36" Colors: <input type="checkbox"/> <input type="checkbox"/> <input type="checkbox"/>	<b>Wind Sign II</b> 24" x 36" Colors: <input type="checkbox"/> <input type="checkbox"/> <input type="checkbox"/>	<b>Wind Sign Deluxe</b> 28" x 44" Colors: <input type="checkbox"/> <input type="checkbox"/> <input type="checkbox"/>	<b>Wind Sign II</b> 24" x 36" Colors: <input type="checkbox"/> <input type="checkbox"/> <input type="checkbox"/>	<b>Wind Sign Deluxe</b> 28" x 44" Colors: <input type="checkbox"/> <input type="checkbox"/> <input type="checkbox"/>

							
<b>Narrowcade® Squarecade™36</b> 12" x 24" 17" x 24" 24" x 24" Colors: <input type="checkbox"/> <input type="checkbox"/> <input type="checkbox"/>	<b>Squarecade™45</b> 24" x 24" Colors: <input type="checkbox"/> <input type="checkbox"/> <input type="checkbox"/>	<b>Signicade®</b> 24" x 36" Colors: <input type="checkbox"/> <input type="checkbox"/> <input type="checkbox"/>	<b>Signicade®Deluxe</b> 24" x 36" Colors: <input type="checkbox"/> <input type="checkbox"/> <input type="checkbox"/>	<b>Econo Classic</b> 24" x 36" Colors: <input type="checkbox"/> <input type="checkbox"/> <input type="checkbox"/>	<b>Mini Signicade®Deluxe</b> Counterop Frame 8.5" x 11" Colors: <input type="checkbox"/> <input type="checkbox"/> <input type="checkbox"/>	<b>The Metropolitan™</b> 24" x 36" w/riider 26.5" x 9" or larger & Side Signs Colors: <input type="checkbox"/> <input type="checkbox"/> <input type="checkbox"/>	<b>The Billboard™</b> 36" x 48" w/riider 38.5" x 10" or larger & Side Signs Colors: <input type="checkbox"/> <input type="checkbox"/> <input type="checkbox"/>